

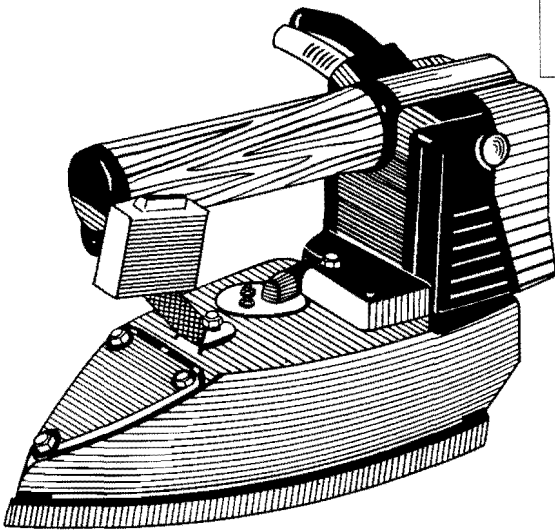
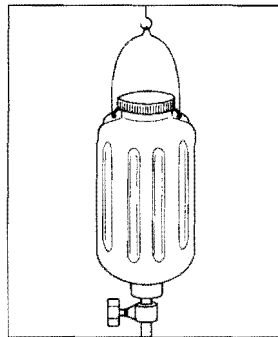
**HASHIMA**

INDUSTRIAL  
**STEAM IRON**

WITH WATER TANK

**HII-550P**

**PARTS LIST**

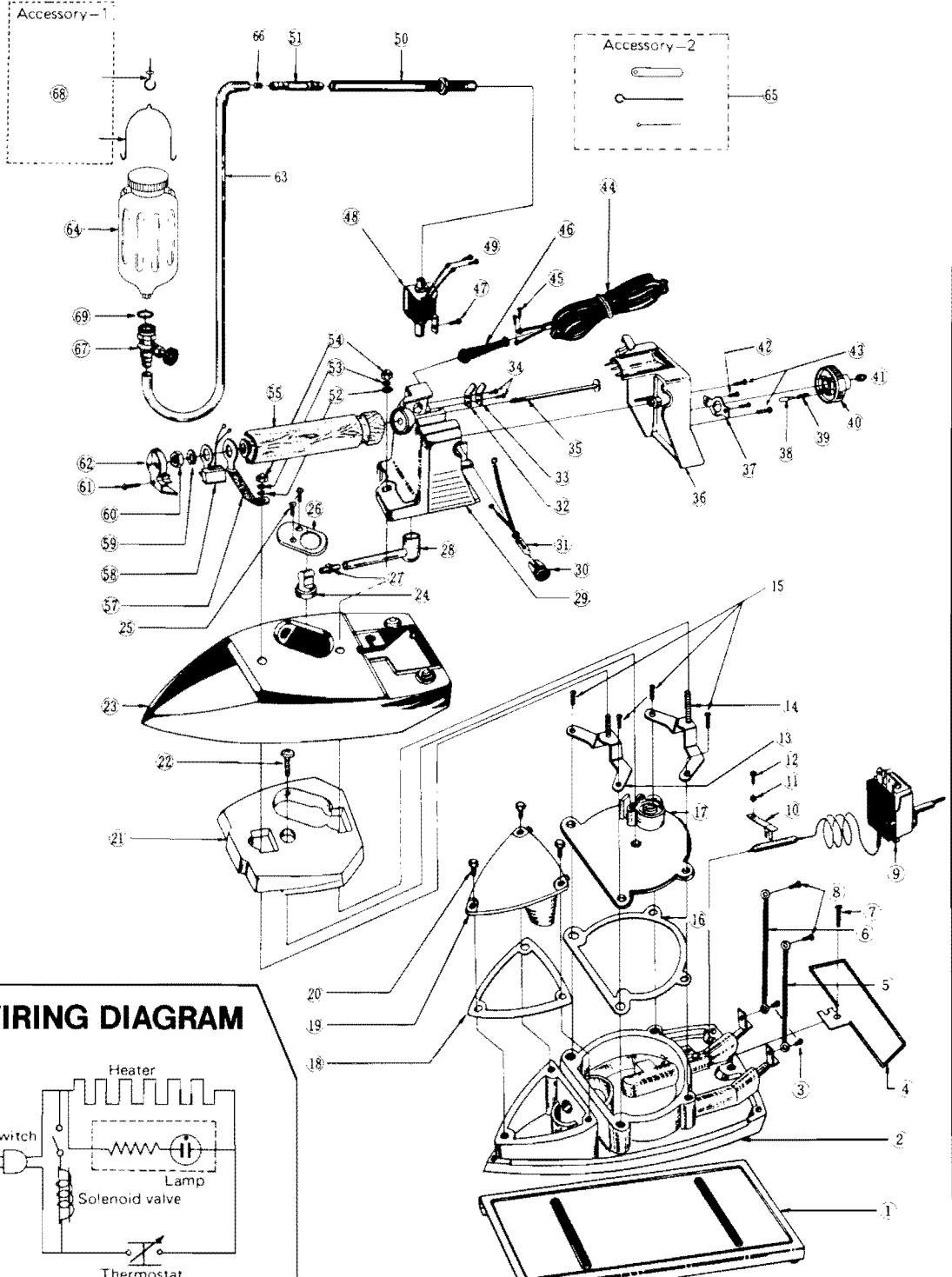


**HASHIMA CO., LTD.**

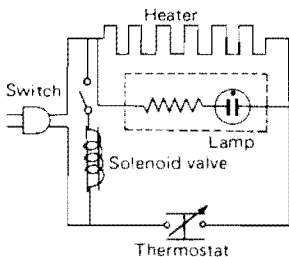
From the library of: Superior Sewing Machine & Supply LLC

7-18, Nishiki-Kimono-cho, Gifu-city, Japan Tel: (0582)64-8400~5  
TELEX: 4722118 HASHIMA J FAX NO. (0582)47-6666

# EXPLODED VIEW



## WIRING DIAGRAM



# PARTS LIST for HI-550P

Ref. No.	Parts Name	Part No.	Remarks
1	Base	HIP-001	
2-1	Heating plate assembly	101	100V
2-2	Heating plate assembly	102	120V
2-3	Heating plate assembly	103	220V
2-4	Heating plate assembly	104	230-240V
3	M4 x 6 Bind screw	301	
4-1	Rating plate	002	100V 1.000W
4-2	Rating plate	003	120V 1.200W
4-3	Rating plate	004	220V 1.200W
4-4	Rating plate	005	230V 1.100W
4-5	Rating plate	006	240V 1.200W
5	Heater lead wire (A)	105	
6	Heater lead wire (B)	106	
7	M4 x 8 Tapping screw	302	
8	M3 x 5 Bind screw	303	
9	Thermostat assembly	107	
10	Thermostat fixing plate	007	
11	M4 Washer	304	
12	M4 x 8 Tapping screw	305	
13	Center bracket & bolt assembly (B)	008	
14	Center bracket & bolt assembly (A)	009	
15	M5 x 20 Hexagon socket screw	306	
16	Rubber packing (A)	010	
17	Steam generating chamber cover (A)	011	
18	Rubber packing (B)	012	
19	Steam generating chamber cover (B)	013	
20	Hexagon socket screw	307	
21	Weight	014	
22	M5 x 20 Tapping screw	308	
23-1	Cover shell	015	
23-2	Cover shell (with earth)	016	
24	Rubber packing (C)	017	
25	M4 x 10 Tapping screw	309	
26	Retaining plate	018	
27	Metal connector	019	
28	Rubber packing (D)	020	
29	Handle base	021	
30	Lamp cover	022	
31-1	Pilot lamp	108	100-120V
31-2	Pilot lamp	109	220-240V
32	Power cord fixing fiber	023	
33	Power cord fixing plate	024	
34	M4 x 20 Tapping screw	310	

